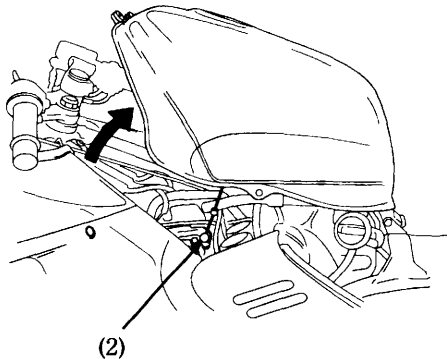
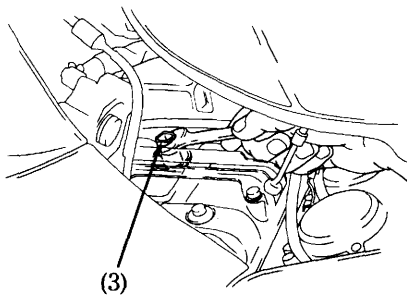


3. Raise the fuel tank until the prop stay (2) is locked.
4. Clean any dirt from around the spark plug base. Remove the spark plug using the plug wrench (3) furnished in the tool kit.



(2) Prop stay



(3) Plug wrench