

7. Soak the air cleaner in Pro Honda Foam Filter Oil or an equivalent [Canadian Vehicles: gear oil (SAE 80–90)] until saturated, then squeeze out the excess oil.

CAUTION:

Twisting the air cleaner when squeezing out excess oil could damage the air cleaner.

8. Reassemble by reversing the disassembly sequence.

Dust cover

Do not push the dust cover (1) (Fig. 4-6) into the breather joint (2). If the dust cover is dirty, clean it.

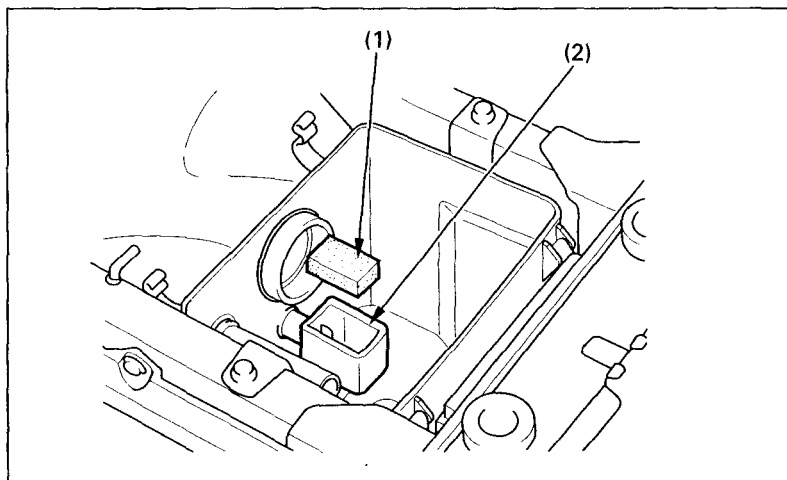


Fig. 4-6

- (1) Dust cover
- (2) Breather joint