

G 2

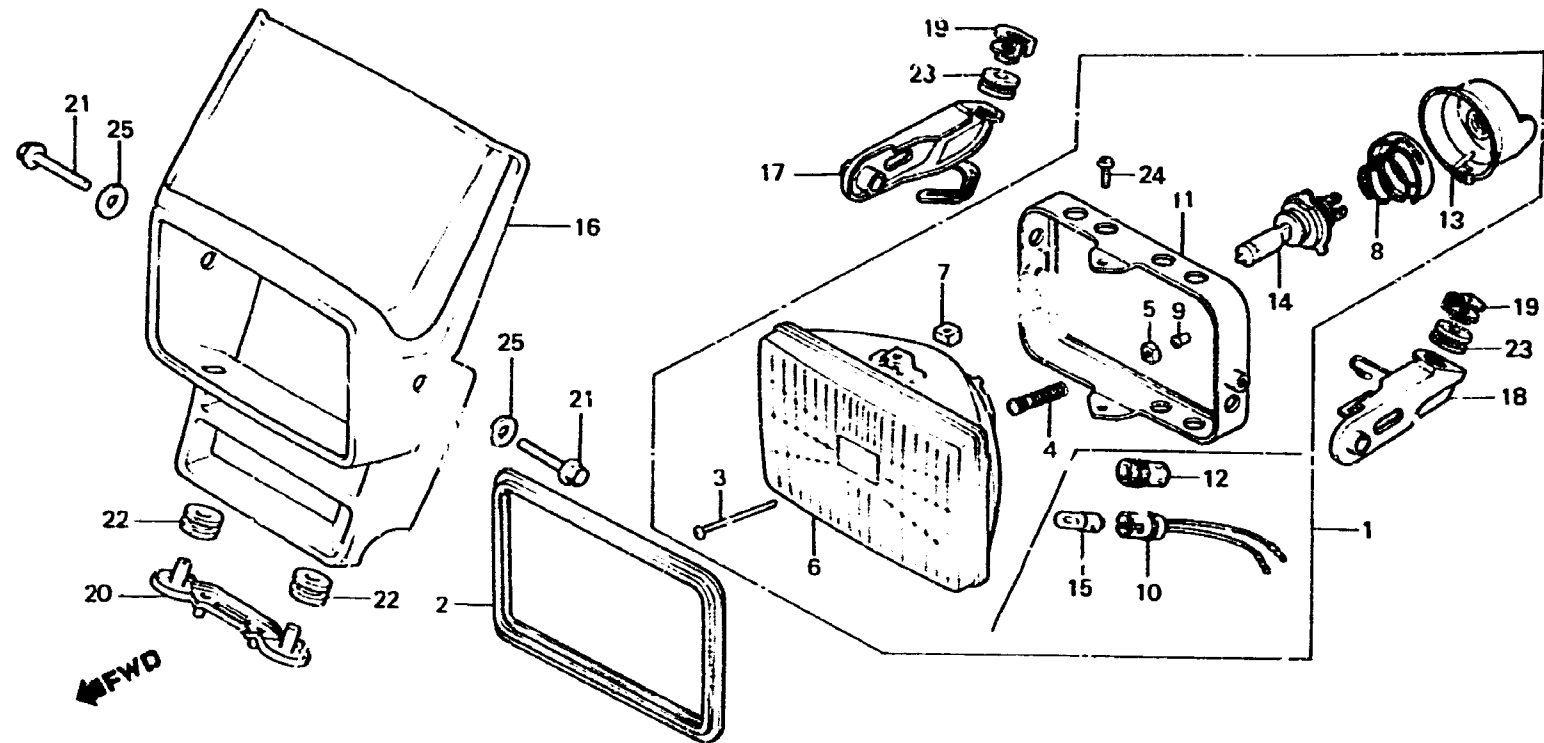
F-1

Headlight

Phare

Scheinwerfer

Faro



BKL3-17A

| Item d'entretien | T.D.R. | N° de réf. | N° de pièce | Description | N° de requis XL350 | | | | N° de série | Code de zone |
|------------------|--------|------------|---------------|------------------------------------|--------------------|----|----|----|-------------|----------------------|
| | | | | | Re | Rr | Rg | Rh | | |
| | | 6 | 33120-KG0-701 | UNITE DE PHARE | 1 | 1 | - | - | | U |
| | | | 33120-MG2-611 | UNITE DE PHARE | 1 | - | - | - | | B,F,SD |
| | | | 33120-MG2-671 | UNITE DE PHARE | 1 | 1 | 1 | - | 5102791 | B,F,G,IT,SD,U |
| | | | 33120-MG2-612 | UNITE DE PHARE | - | 1 | - | - | 5102792 | CM |
| | | | | UNITE DE PHARE | - | - | 1 | 1 | | B,F,G,IT,SD,U |
| | | | | UNITE DE PHARE | - | - | 1 | 1 | | AR,B,F,G,IT,2G |
| | | 7 | 33128-471-003 | ECROU DE SUPPORT D'UNITE | 2 | 2 | 2 | 2 | | |
| | | 8 | 33131-471-901 | SUPPORT DE DOUILLE DE PHARE | 1 | 1 | 1 | 1 | | |
| | | 9 | 33138-426-830 | COUVERCLE DE VIS | 1 | 1 | 1 | 1 | | |
| | | 10 | 33150-MG2-003 | ENS. DOUILLE DE FEU POSITION | 1 | 1 | 1 | 1 | | AR,B,F,G,IT,SD,U,2G |
| | | 11 | 33153-MG2-671 | ANNEAU COMP. MONTAGE | 1 | 1 | 1 | 1 | | |
| | | 12 | 33155-166-003 | CAOUTCHOUC DE JOINT | 1 | 1 | 1 | 1 | | AR,B,F,G,IT,SD,U,2G |
| | | 13 | 33180-471-901 | COUVERCLE DE CAOUTCHOUC | 1 | 1 | 1 | 1 | | |
| | | 14 | 34901-MC7-601 | AMPOULE DE PHARE | 1 | 1 | 1 | 1 | | |
| | | | | (H4 JA12V60/55W) | 1 | 1 | 1 | 1 | | AR,B,CM,G,IT,SD,U,2G |
| | | | 34901-371-821 | AMPOULE DE PHARE | 1 | 1 | - | 1 | | F |
| | | | | (H4 JA12V60/55W) | 1 | 1 | - | 1 | | |
| | | 15 | 34903-071-003 | AMPOULE DE FEU DE GABARIT | 1 | 1 | - | - | | U |
| | | | | (12V 3.4W) | 1 | 1 | - | - | | |