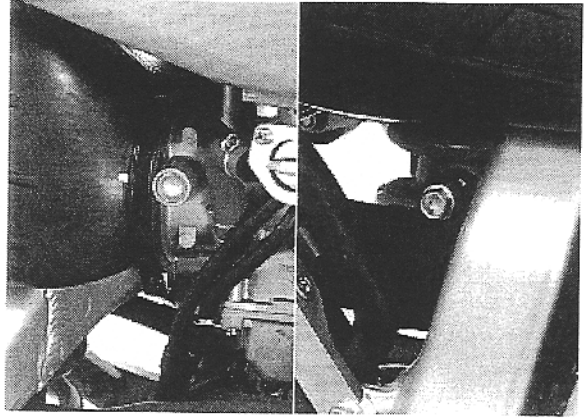


INSTALLATION

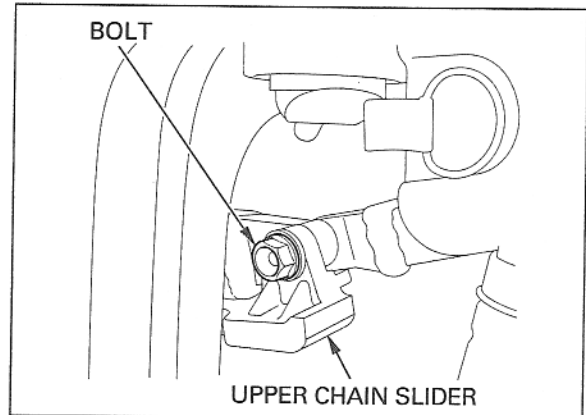
Loosely attach the upper and lower ends of the sub-frame to the main-frame while connecting the muffler to the exhaust pipe and the carburetor connecting tube to the carburetor.



Tighten the upper and lower sub-frame mounting bolts.



Install the upper chain slider and tighten the left lower sub-frame mounting bolt.



Clamp the rear brake reservoir hose to the sub-frame and tighten the lower muffler mounting bolt. Install the rear brake reservoir and tighten the bolt.

