

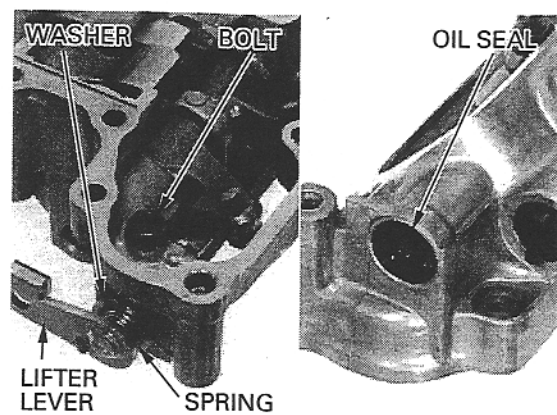
## CYLINDER HEAD COVER DISASSEMBLY

Remove the following:

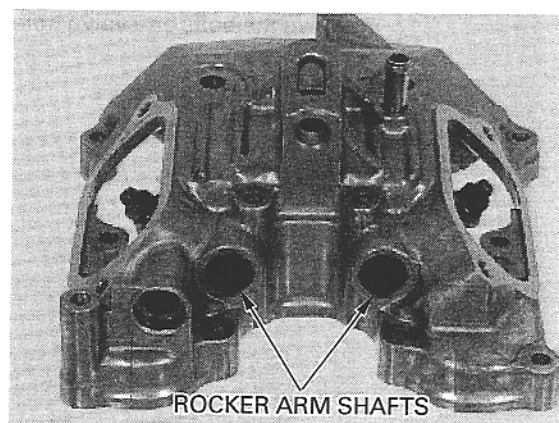
- Valve lifter lever bolt
- Valve lifter lever
- Spring
- Washer
- Oil seal

**NOTE:**

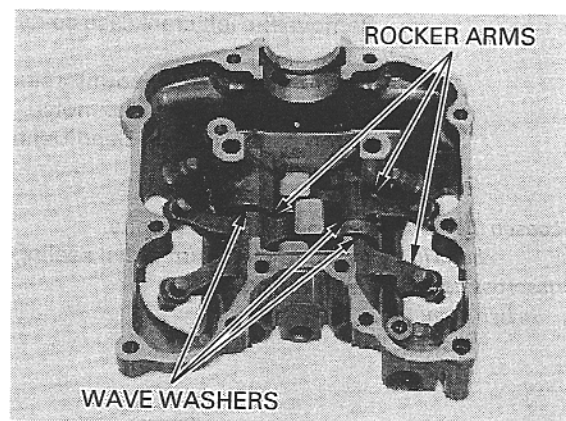
Note the location of all parts during disassembly so you can reinstall the parts in their same positions.



Remove the rocker arm shafts.



Remove the rocker arms and wave washers.



## ROCKER ARM INSPECTION

Inspect the rocker arms for wear or damage.

**NOTE:**

Inspect the cam lobe if the rocker arm sliding surface is worn or damaged.

Measure the I.D. of the rocker arms.

**SERVICE LIMIT:** 14.05 mm (0.553 in)

