

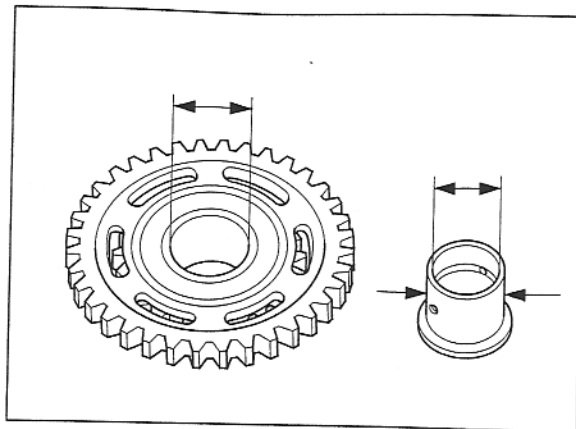
CLUTCH/KICKSTARTER/GEARSHIFT LINKAGE

Measure the I.D. of the kickstarter idle gear.

SERVICE LIMIT: 23.11 mm (0.910 in)

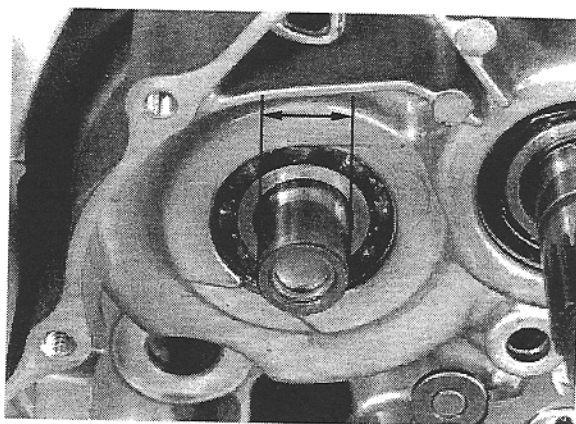
Measure the I.D. and O.D. of the kickstarter idle gear bushing.

SERVICE LIMITS: I.D.: 20.05 mm (0.789 in)
O.D.: 22.90 mm (0.902 in)



Measure the O.D. of the countershaft at the idle gear bushing sliding surface.

SERVICE LIMIT: 19.94 mm (0.785 in)



ASSEMBLY

