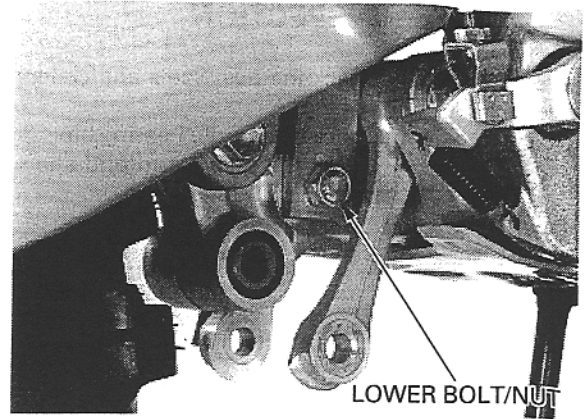
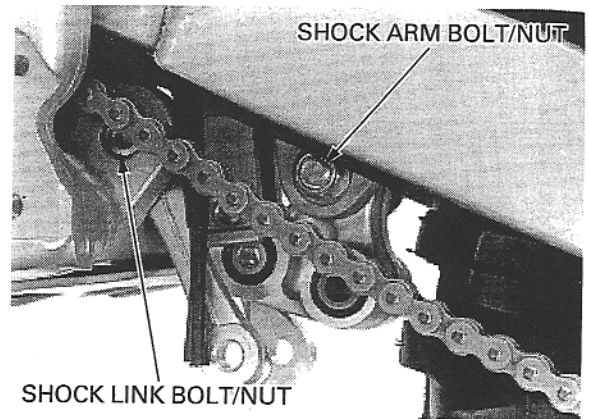


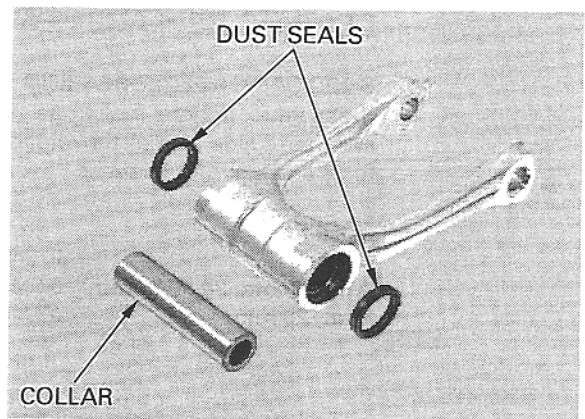
Remove the shock absorber lower mounting bolt/nut.



Remove the shock arm bolt/nut (swingarm side) and shock arm.
Remove the shock link bolt/nut (frame side) and shock link.



Remove the pivot collar and dust seals from the shock link.



Remove the side collars (shock absorber side), dust seals and pivot collars from the shock arm.

