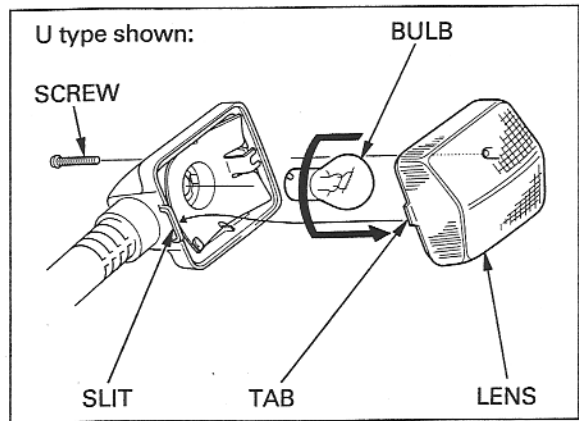


## TURN SIGNAL LIGHT

Remove the screw and lens.  
While pushing in, turn the bulb counterclockwise to remove it and replace with a new one.

Installation is in the reverse order of removal.

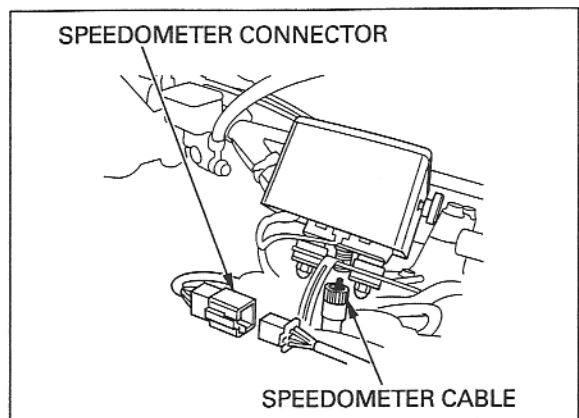


## SPEEDOMETER

### REMOVAL

Remove the front visor (page 2-3).

Disconnect the speedometer connector and speedometer cable.



Remove the two nuts and speedometer.

