

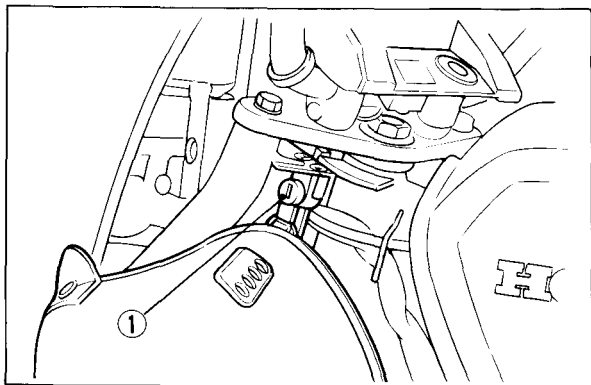
Helmet Holder/Steering Lock

The helmet holder is equipped with the steering lock. To lock the steering and use the helmet holder.

1. Turn the handlebars all the way to the right and hang your helmet on the hook at the hinge.
2. Insert the key into the steering lock and turn the key all the way to the left.
3. Remove the key.

WARNING

* *Do not operate the steering lock while riding the ATC.*



(1) Helmet holder/Steering lock

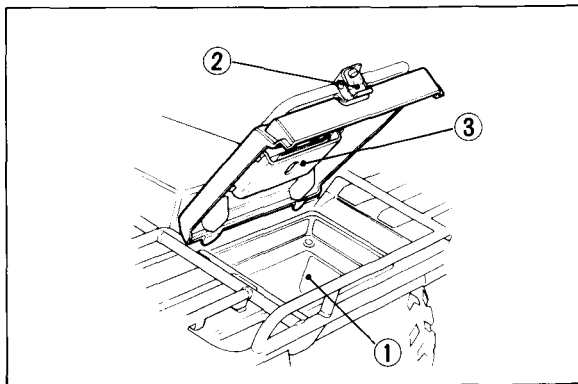
Storage Compartment/Owner's Manual Compartment

The storage compartment (1) is at the rear of rear fender. The owner's manual compartment (3) is in the storage compartment.

This owner's manual should be stored in the compartment. When washing your ATC or riding through the water, be careful not to flood this area with water. Pull the lever (2) up to open.

WARNING

* *Do not carry more than 2.3 kg (5 lbs) of cargo in the storage compartment.*



(1) Storage compartment
(2) Lever

(3) Owner's manual compartment