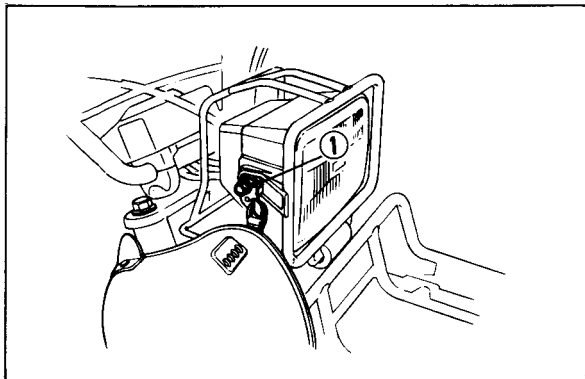


## Helmet Holder

The helmet holder (1) is located on the right side of the headlight. To use the helmet holder, hang your helmet on the hook at the hinge.

### WARNING

- \* *Do not operate the ATC with a helmet attached to the holder. The helmet holder is designed for use while parked.*



(1) Helmet holder

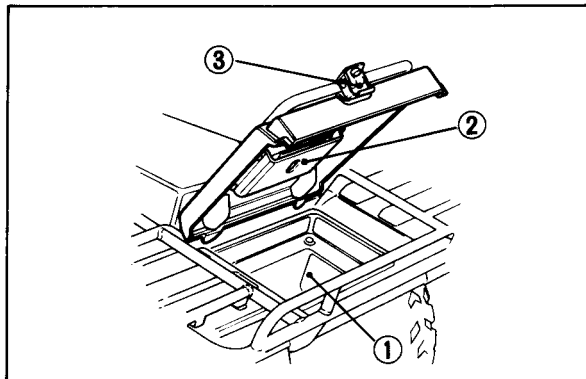
## Storage Compartment/Owner's Manual Compartment

The storage compartment (1) is at the rear of rear fender. The owner's manual compartment (2) is in the storage compartment.

This owner's manual should be stored in the compartment. When washing your ATC or riding through the water, be careful not to flood this area with water. Pull the lever (3) up to open.

### WARNING

- \* *Do not carry more than 2.3 kg (5 lbs) of cargo in the storage compartment.*



(1) Storage compartment

(2) Owner's manual compartment

(3) Lever