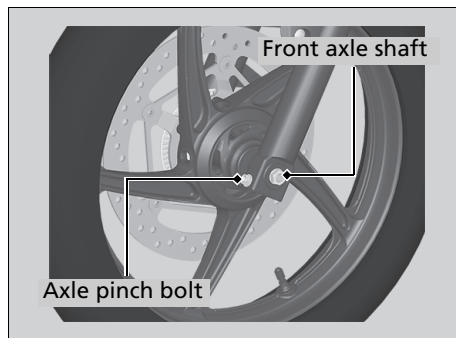


Tyre Puncture ▶ Removing Wheels

4. Loosen the axle pinch bolt.
5. Support your motorcycle securely and raise the front wheel off the ground using a maintenance stand or a hoist.
6. Remove the front axle shaft, front wheel and side collars.



Troubleshooting

continued 81