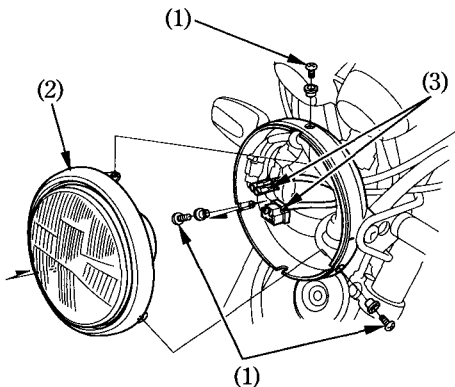


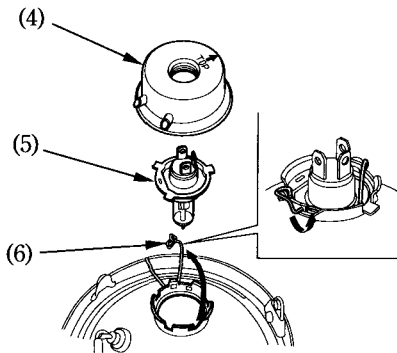
## Headlight Bulb (CB600F)

1. Remove the screws (1) from the headlight case.
2. Gently pull the headlight (2) forward and disconnect the connectors (3).



- (1) Screws
- (2) Headlight
- (3) Connectors

3. Remove the seat rubber (4).
4. Remove the headlight bulb (5) while pressing down on the pin (6).
5. Install a new bulb in the reverse order of removal.



- (4) Seat rubber
- (5) Headlight bulb
- (6) Pin