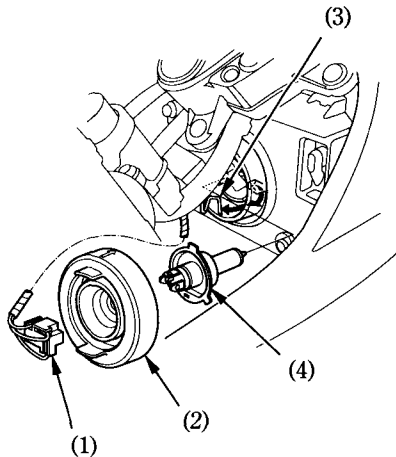


(CB600F II)

1. Pull off the socket (1) without turning.
2. Remove the seat rubber (2).
3. Remove the bulb (4) while pressing down on the pin (3).
4. Install a new bulb in the reverse order of removal.



- (1) Socket
(2) Seat rubber

- (3) Pin
(4) Bulb