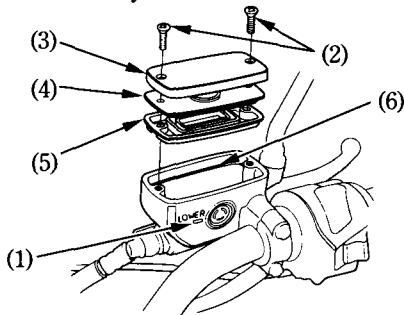


Brake fluid must be added to the reservoir whenever the fluid level begins to reach the LOWER level mark (1). Remove the screws (2), reservoir cover (3), diaphragm plate (4), and diaphragm (5). Fill the reservoir with DOT 4 BRAKE FLUID from a sealed container up to the upper level mark (6). Reinstall the diaphragm, diaphragm plate, and cover. Tighten the screws securely.



- | | |
|----------------------|----------------------|
| (1) LOWER level mark | (4) Diaphragm plate |
| (2) Screws | (5) Diaphragm |
| (3) Reservoir cover | (6) UPPER level mark |

Rear Brake

Rear Brake Fluid Level:

▲ WARNING

- * Brake fluid may cause irritation. Avoid contact with skin or eyes. In case of contact, flush thoroughly with water and call a doctor if your eyes were exposed.
- * KEEP OUT OF REACH OF CHILDREN.

CAUTION:

- * Handle brake fluid with care because it can damage plastic and painted surfaces.
- * When adding brake fluid, be sure the reservoir is horizontal before the cap is removed or brake fluid may spill out.
- * Use only DOT 4 brake fluid from a sealed container.
- * Never allow contaminants such as dirt or water to enter the brake fluid reservoir.