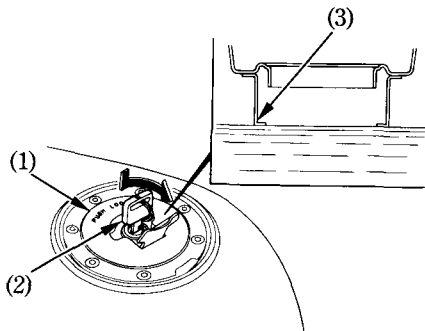


Fuel Tank

The fuel tank capacity including the reserve supply is:

20.0 l (5.28 US gal , 4.40 Imp gal)

To open the fuel fill cap (1), insert the ignition key (2) and turn it clockwise. The fuel fill cap is hinged and will lift up.



- (1) Fuel fill cap
- (2) Ignition key
- (3) Filler neck

After refueling, to close the fuel fill cap, push the fuel fill cap into the filler neck until it snaps closed and locks. Remove the key.

Use unleaded or low-lead petrol with a research octane number of 91 or higher. We recommend that you use unleaded petrol because it produces fewer engine and spark plug deposits and extends the life of exhaust system components.

FOR AUSTRALIA ONLY:

Use unleaded petrol with a research octane number of 91 or higher.

CAUTION:

* If “spark knock” or “pinking” occurs at a steady engine speed under normal load, change brands of petrol. If spark knock or pinking persists, consult your authorized Honda dealer. Failure to do so is considered misuse, and damage caused by misuse is not covered by Honda’s Limited Warranty.