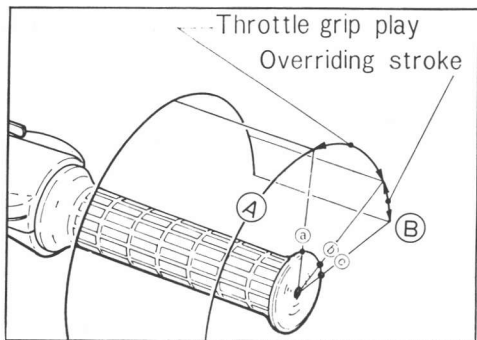


standard specified, have the adjustment performed by an authorized HONDA dealer.



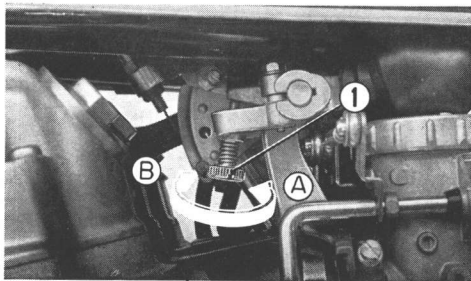
- (a) Engine rpm starts to increase from idling rpm
- (b) Point resistance is felt
- (c) Throttle full closed position
- (d) Throttle adjust bolt

3. The adjustment of throttle grip damping movement can be made to suit the rider's preference. This adjustment is made by the throttle grip adjust bolt (d). Turning the adjust bolt in the grip will tighten the grip movement.

● Carburetor Adjustment

The motorcycle equipped with the linkage type carburetor is adjusted in the following manner.

1. Start and warm up the engine for several minutes.
2. Set the engine idle speed between **900 to 1,000 rpm** by adjusting the stop screw (1). Turning the stop screw in the (A) direction will increase the rpm, and turning in the (B) direction will result in a decrease.



(1) Stop screw