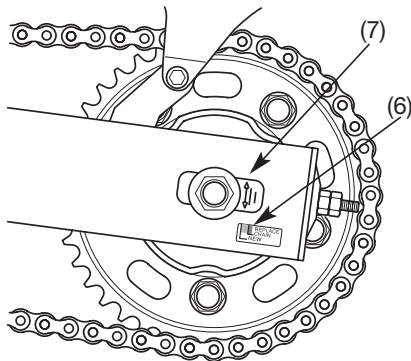


5. Check rear axle alignment by making sure the chain adjuster index marks (4) align with the rear edge (5) on the swingarm. Both left and right marks should correspond. If the axle is misaligned, turn the left or right adjusting nut until the marks correspond on the rear edge of the adjusting slots and recheck chain slack.
 6. Tighten the axle nut to specified torque.
Axle nut torque:
93 N•m (9,5 kgf•m)
- If a torque wrench is not used for this installation, see your Honda dealer as soon as possible to verify proper assembly.
7. Tighten the adjusting nuts lightly, then tighten the lock nuts by holding the adjusting nuts with a spanner.
 8. Recheck chain slack.

Wear inspection:

Check the chain wear label when adjusting the chain. If the red zone (6) on the label aligns with the index mark (7) on the swingarm after the chain has been adjusted to the proper slack, the chain is excessively worn and must be replaced. The proper slack is: 30-40 mm



(6) Red zone

(7) Index mark