


Hazard Switch (5)

The Hazard should be used only when your motorcycle is stopped under emergency or hazardous conditions. To turn it on, turn the ignition key to the ON position, and then push the switch marked . The front and rear turn signals will blink simultaneously.

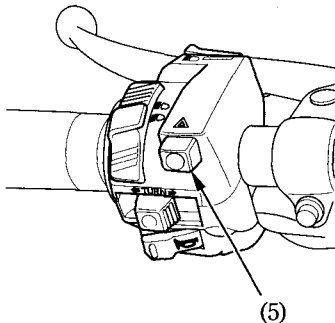
All of the signals can blink without the ignition key.

To operate this function, proceed as follows:

1. Turn the ignition key to ON position and then push the hazard switch.
2. All of the turn signals will keep blinking even after you turn the ignition key to OFF position.
3. You can turn off the turn blinking signals by pushing the hazard switch again to the off position.

Be sure to turn the switch off when the hazard warning is no longer required, or the turn signals will not work properly, and may confuse other drivers.

If all the turn signals are left blinking with the engine stopped, the battery will be discharged.



(5) Hazard switch