

LEFT HANDLEBAR CONTROLS

Headlight Dimmer Switch (1)

Push the dimmer switch to \equiv D (HI) to select high beam or to \equiv D (LO) to select low beam.

Passing Light Control Switch (2)

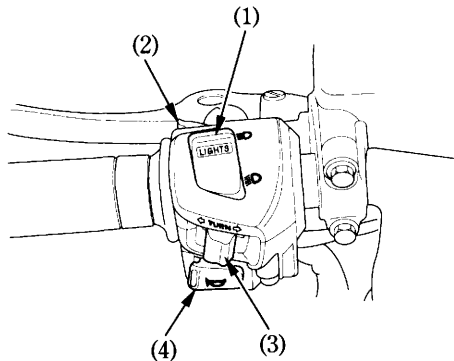
When this switch is pressed, the headlight flashes on to signal approaching cars or when passing.

Turn Signal Switch (3)

Move to \leftarrow (L) to signal a left turn, \rightarrow (R) to signal a right turn. Press to turn signal off.

Horn Button (4)

Press the button to sound the horn.



- (1) Headlight dimmer switch
- (2) Passing light control switch
- (3) Turn signal switch
- (4) Horn button