

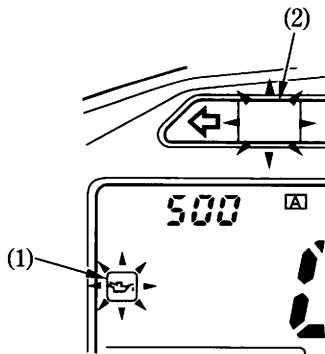
## Low Oil Pressure Indicator and Malfunction Indicator

The low oil pressure indicator (1) and the red malfunction indicator (2) lights when engine oil pressure is below the normal operating range.

The low oil pressure indicator and the red malfunction indicator should light when the engine is not running with the ignition switch turned ON. Both should go off when the engine starts, except for occasional flickering at or near idling speed when the engine is warm.

### NOTICE

Running the engine with insufficient oil pressure may cause serious engine damage.



- (1) Low oil pressure indicator
- (2) Malfunction indicator