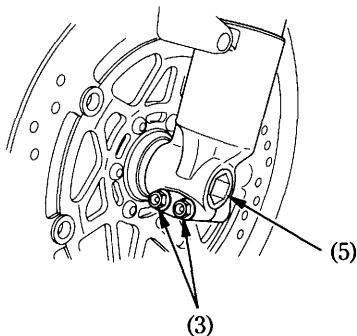
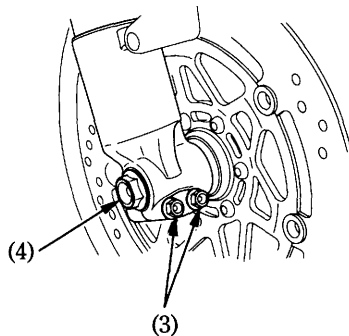


Do not depress the brake lever when the caliper assembly is removed. The caliper piston will be forced out of the cylinder with subsequent loss of brake fluid. If this occurs, servicing of the brake system will be necessary. See your Honda dealer for this service.

3. Loosen the right and left axle pinch bolts (3), and remove the axle bolt (4).
4. Withdraw the front axle (5) and remove the front wheel.



- (3) Axle pinch bolts
- (5) Front axle



- (4) Axle bolt