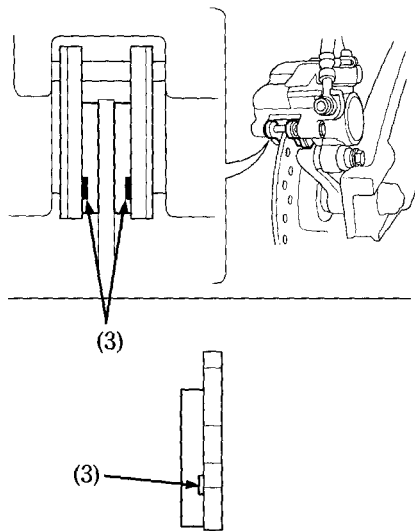


## Rear Brake

Check the cutout (3) in each pad.  
If either pad is worn to the cutout, replace both pads as a set. See your authorized Honda dealer for this service.

〈REAR BRAKE〉



(3) Cutouts