

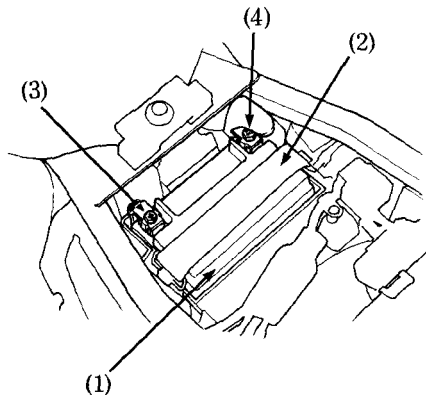
**▲ WARNING**

**\* KEEP OUT OF REACH OF CHILDREN.**

**Battery Removal**

The battery (1) is in the battery box below the front seat.

1. Remove the front seat (page 40).
2. Unhook the strap (2).
3. Disconnect the negative (-) terminal lead (3) from the battery first, then disconnect the positive (+) terminal lead (4).
4. Pull out the battery from the battery box.



- (1) Battery  
(2) Strap  
(3) Negative (-) terminal lead  
(4) Positive (+) terminal lead