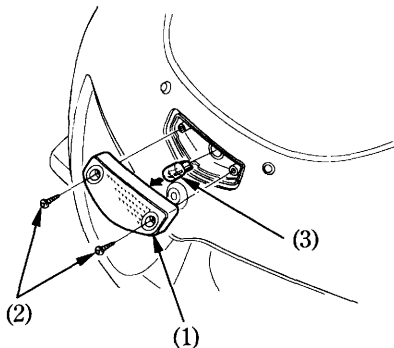


Position Light Bulb

1. Remove the position light lens (1) by removing screws (2).
2. Pull out the bulb (3) without turning.
3. Install a new bulb in the reverse order of removal.



- (1) Position light lens
- (2) Screws
- (3) Bulb