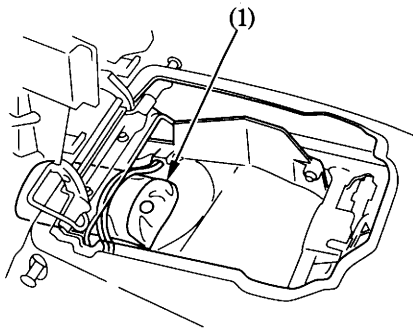


## TOOL KIT

The tool kit (1) is under the rear seat.

Some roadside repairs, minor adjustments and parts replacement can be performed with the tools contained in the kit.

- Pin spanner
- Spark plug wrench
- 10 × 12 mm box end wrench
- 22 mm box end wrench
- 32 mm box end wrench
- 10 × 12 mm open end wrench
- 12 × 14 mm open end wrench
- 8 mm open end wrench
- Pliers
- No.2 Phillips screwdriver
- No.2 screwdriver
- Screwdriver grip
- Extension bar
- 5 mm hex wrench
- 8 mm box wrench
- Tool bag



(1) Tool kit