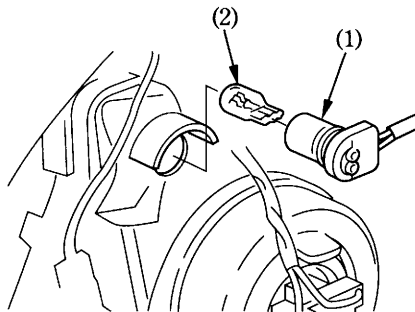


Position Light Bulb (Except U type)

1. Remove the inner panel (page 60).
2. Pull the position light socket (1) and remove it.
3. Pull out the bulb (2) without turning.
4. Install a new bulb in the reverse order of removal.



- (1) Position light socket
(2) Bulb