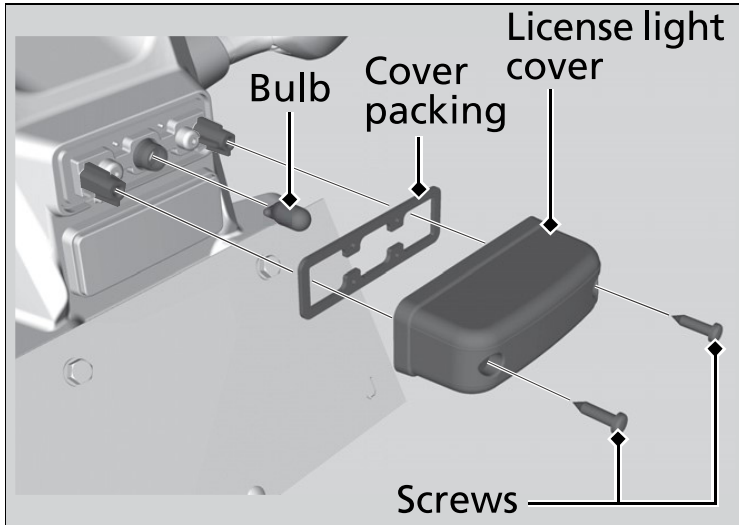


License Plate Light

1. Remove the screws, license light cover and license light cover packing.
2. Pull out the bulb without turning.



3. Install a new bulb and parts in the reverse order of removal.