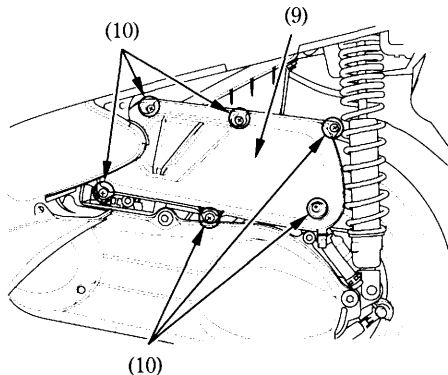
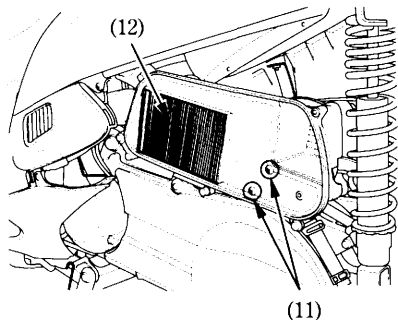


3. Remove the air cleaner housing cover (9) by removing the screws (10).
4. Remove two screws (11) and remove the air cleaner (12).



(9) Air cleaner housing cover
(10) Screws

5. Discard the air cleaner.
6. Install the new air cleaner.
Use the Honda genuine air cleaner or an equivalent air cleaner specified for your model. Using the wrong Honda air cleaner or a non-Honda air cleaner which is not of equivalent quality may cause premature engine wear or performance problems.
7. Install the removed parts in the reverse order of removal.



(11) Screws
(12) Air cleaner