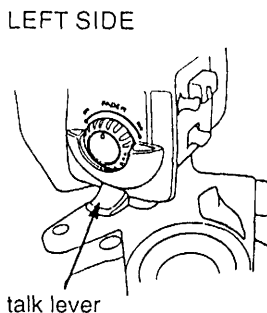
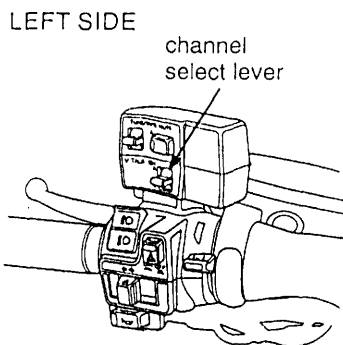


CB Radio (SE only)

Headset/Speaker Mode, Squelch Control Knob

- To switch between speaker and headset output, push this knob. The display will indicate:
 - DI when sound is coming from the speakers
 - 🎧 when sound is coming from the headsets
- To eliminate noise (hissing) between transmissions and to enable automatic switch-over between CB calls and the radio/cassette player — turn the knob clockwise.

Using the CB Radio



1. Turn the ignition switch to ACC or ON.
2. Push the power switch/volume control knob in to turn the power on.
3. Select the desired channel by using the channel select lever.
 - To select the next higher channel — push the lever up.
 - To select the next lower channel — push the lever down.
4. Turn the squelch control knob counterclockwise until it stops. At this position, the CB radio is most sensitive with noise in the background. The RX indicator lights up on the display.