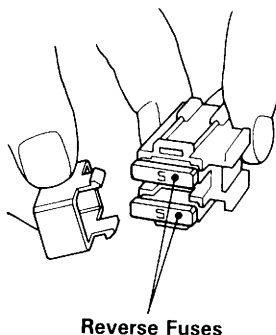
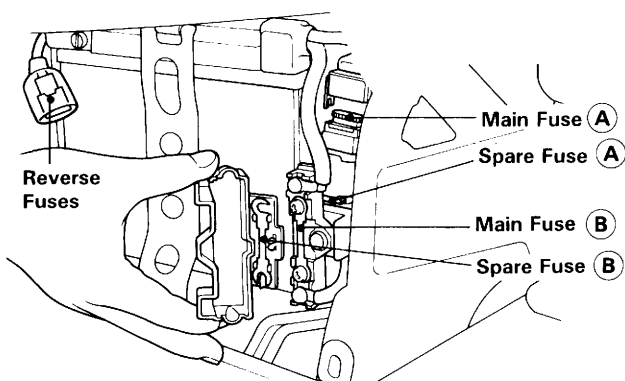


FUSE REPLACEMENT

Refer to the Maintenance Precautions on page 108.

The main fuse (A), 30A, is attached to the starter magnetic switch. The main fuse (B), 55A, is located near the battery. The reverse system fuses, 5 A, are near the battery. Remove the rear right side cover (page 130) for access to fuses. The circuit fuse box is located near the fuel tank. Remove the rear left side cover (page 109) and fuse box cover for access to circuit fuses. Spare fuses are behind the fuse box cover. The specified fuses are shown on the fuse box cover.

RIGHT SIDE



Reverse Fuses