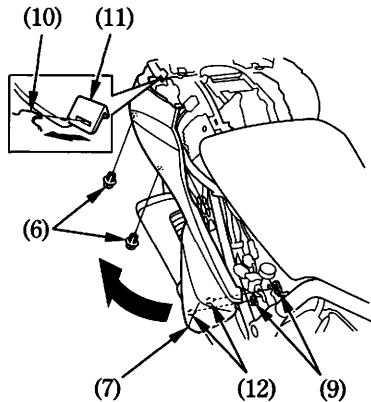
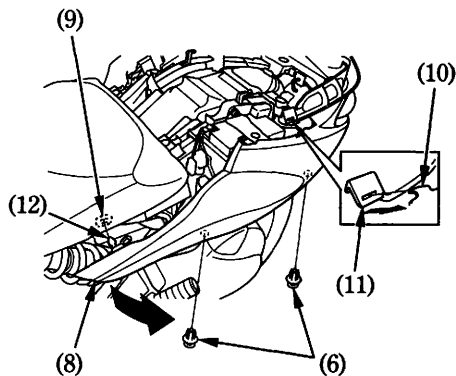


5. Remove the clips A (6).
6. Pull the front of the rear cowl (7) (8) forward and carefully pull the rear cowl out from the grommets (9).



- (6) Clips A
 (7) Right rear cowl

7. Remove the upper tab (10) on the center of the rear cowl from the hook (11).



- (8) Left rear cowl
 (9) Grommets
 (10) Upper tab
 (11) Hook
 (12) Prongs