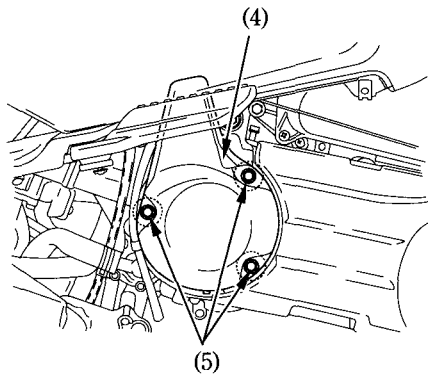


- Remove the belt case air cleaner assembly (4) by removing the bolts (5).
- Remove the element cover (6) by releasing the tab (7).
- Remove the element (8).
- Wash the element in clean, nonflammable or high flash point solvent and let it dry thoroughly.



(4) Belt case air cleaner assembly
(5) Bolts

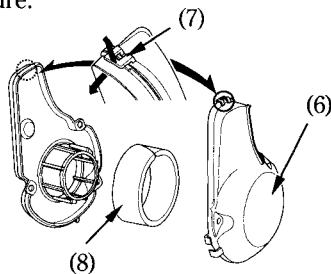
▲WARNING

- * Never use petrol or low flash point solvents for cleaning the air cleaner. A fire or explosion could result.

CAUTION:

- * Allow the element to dry thoroughly before installation.
- * Do not apply oil to the element; damage to the drive belt will occur.

- For installation, reverse the removal procedure.



(6) Element cover (8) Element
(7) Tab