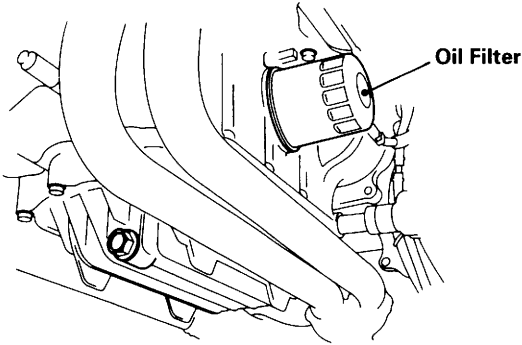


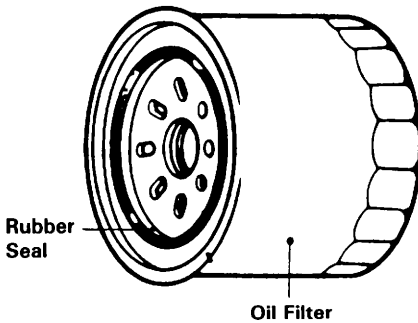
# FILTERS/LUBRICATION

---

2. Remove the oil filter with a filter wrench. Discard the oil filter.



3. Apply a thin coat of engine oil to the rubber seal on the new oil filter.



4. Using a special tool and a torque wrench, install the new oil filter and tighten it to the specified torque:

**10 N·m (1.0 kgf-m, 7 lbf-ft)**

Use only the Honda genuine oil filter or a filter of equivalent quality specified for your model. Using the wrong Honda filter or a non-Honda filter which is not of equivalent quality may cause engine damage.

5. Check that the sealing washer on the drain plug is in good condition. Replace the sealing washer every other time the oil is changed, or each time if necessary. Install the drain bolt and tighten it to the specified torque:

**37 N·m (3.8 kgf-m, 27 lbf-ft)**