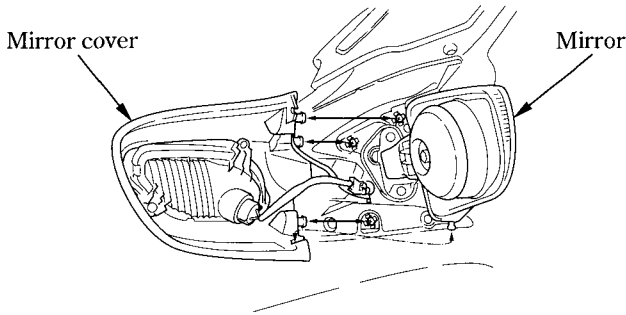

REARVIEW MIRRORS

Both rear view mirror assemblies use a special breakaway mount which allows a controlled separation of the mirror assembly from its base upon impact with an obstacle. A short cable keeps the mirror assembly connected to the mirror bracket.

Inspection:

- Check the mirror for correct angle.
- Press on the mirror cover firmly until it clicks into position on the mirror mount.
- After reinstalling, check the mirror for correct angle and the front turn signals for proper operation.



For your safety, be sure to immediately reinstall any separated mirror assembly. Otherwise, the mirror and turnsignal will not be available to you while riding.

If a mirror assembly is damaged so badly that it cannot be reused or reinstalled on its base, remove it from the base and transport the motorcycle to Honda dealer.

NOTICE

Riding with a mirror assembly hanging by its retaining cable may damage the motorcycle's plastic body.