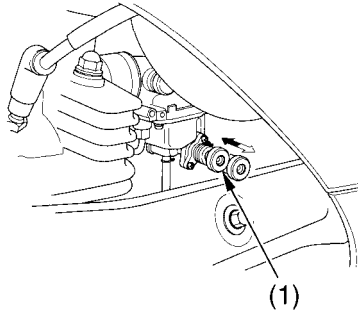


# Controls & Features

---

## Starting Primer Knob

LEFT SIDE

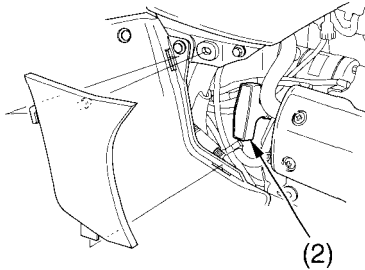


(1) starting primer knob

The starting primer knob (1) is located on the carburetor float bowl. The knob may be used when starting the engine in extremely cold weather ( $-15^{\circ}\text{C}$ ,  $5^{\circ}\text{F}$ ). See *Starting Procedure*, page 59 .

## Recoil Starter

RIGHT SIDE



(2) recoil starter

The recoil starter (2) is used to start the engine when the battery is low. See *Using the Recoil Starter*, page 62 .