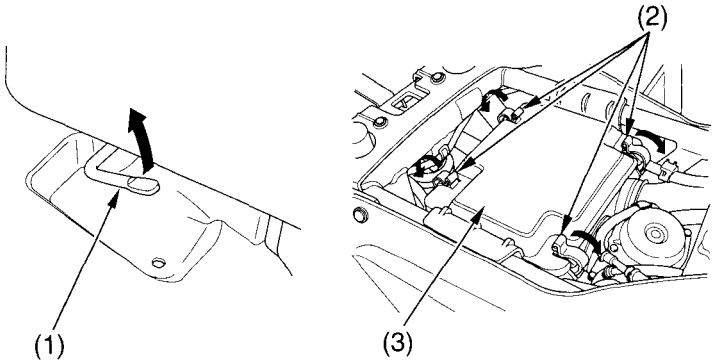


Air Cleaner

Cleaning

1. Remove the seat by pulling the seat lock lever (1) up.

UNDER SEAT



- (1) seat lock lever
(2) retainer clips

- (3) air cleaner housing cover

2. Unlatch the four retainer clips (2).
3. Remove the air cleaner housing cover (3).

(cont'd)