

## Tool Kit

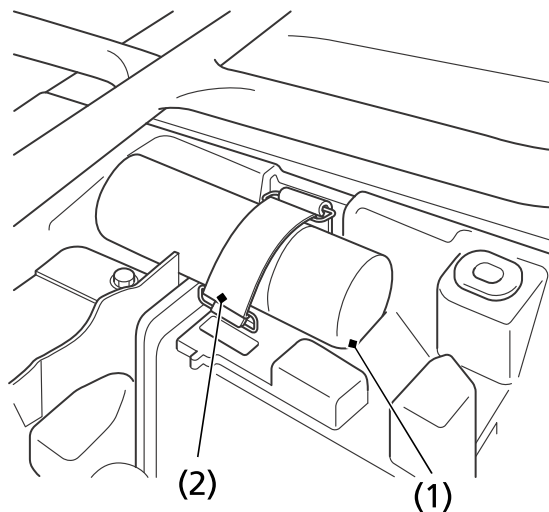
The tool kit (1) is stored under the rear fender cover (page 127). After using the tools, be sure to use the rubber band (2) to fasten the tool kit securely.

The tools in the kit are sufficient to perform routine maintenance and simple repairs. Any extensive work requiring additional tools should be performed by your dealer.

The tool kit includes the following items:

- \* standard/Phillips screwdriver
- \* screwdriver handle
- \* 10 × 12 mm open end wrench
- \* 14 × 17 mm open end wrench
- \* spark plug wrench and handlebar
- \* pliers
- \* 5 mm Hex wrench
- \* tool box

### UNDER REAR FENDER COVER



(1) tool kit

(2) rubber band