

SPARK PLUGS

(Refer to maintenance precautions on page 56).

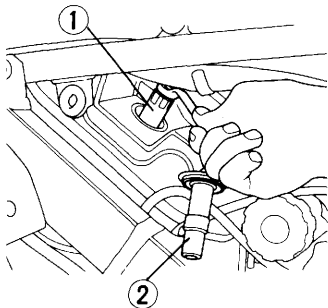
Recommended plugs:

Standard:

DPR9EA-9 (NGK) or X27EPR-U9 (ND)

For cold climate (Below 5°C)

DPR8EA-9 (NGK) or X24EPR-U9 (ND)



(1) Spark plug wrench

(2) Spark plug cap

Spark Plugs

1. Remove the right and left side covers to remove the spark plug from the rear cylinder (page 39).
2. Remove the spark plug cap (2) from the spark plug, and remove the spark plug using the special plug wrench (1) furnished in the tool kit.
3. To remove the plug from the front cylinder, unscrew the two bolts attaching the bottom of the radiator.
4. Raise the radiator and remove the spark plug with the plug wrench.

