

## BATTERY

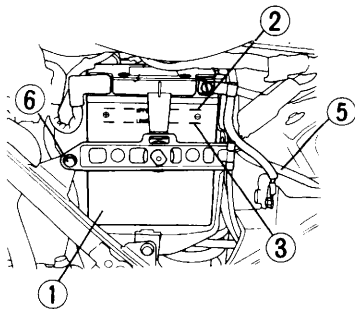
(Refer to the maintenance precautions on page 56).

If the motorcycle is operated with insufficient battery electrolyte, sulfation and battery plate damage will occur.

If rapid loss of electrolyte is experienced, or if your battery seems to be weak, causing slow starting or other electrical problems, see your authorized Honda dealer.

### Battery electrolyte:

The battery is behind the right side cover. Remove the right side cover (see page 39). Check the electrolyte level with the motorcycle in an upright position on level ground. The electrolyte level must be maintained between the UPPER (1) and LOWER (2) LEVEL marks on the side of the battery. If the electrolyte level is low, disconnect the negative (-) terminal lead (3) from the battery first, then disconnect the positive (4) terminal lead. Disconnect the battery breather tube (5).



- (1) UPPER LEVEL      (5) Breather tube  
(2) LOWER LEVEL    (6) Bolt