

INNER PANEL

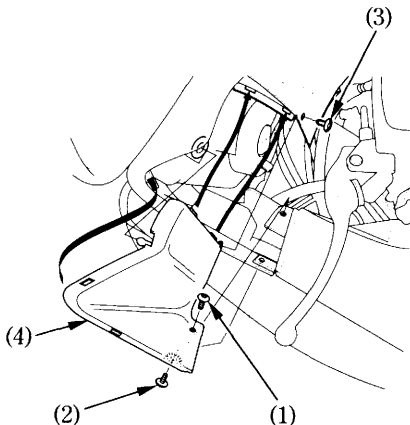
The right and left inner panels can be removed in the same manner.

Removal:

1. Remove the bolt A (1) and bolt B (2).
2. Remove the clip A (3).
3. Remove the inner panel (4).

Installation:

- Installation can be done in the reverse order of removal.



(1) Bolt A
(2) Bolt B

(3) Clip A
(4) Inner panel