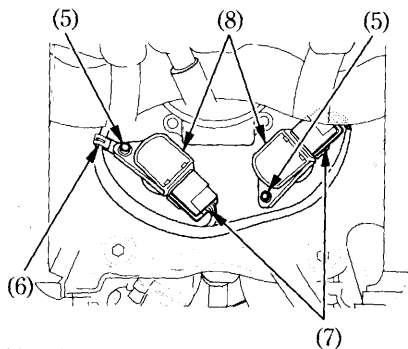
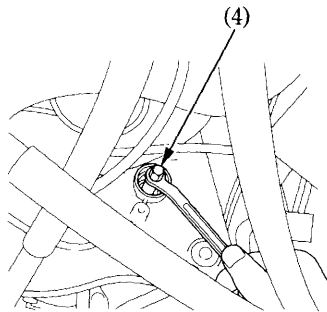


6. To remove the spark plug from the front cylinder, remove the bolts (5) and the wire harness holder (6).
7. Disconnect the ignition coil connectors (7).
8. Remove the ignition coils (8) from the spark plugs.



- (5) Bolts
- (6) Wire harness holder
- (7) Ignition coil connectors
- (8) Ignition coils

9. Clean any dirt from around the spark plug bases.
Remove the spark plugs using the spark plug wrench (4) furnished in the tool kit.



- (4) Spark plug wrench