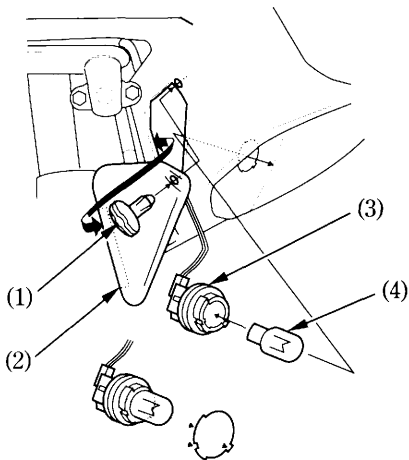


Front Turn Signal Bulb

1. Remove the clip A (1) and the bulb maintenance lid (2).
2. Turn the socket (3) 90° counter-clockwise, then pull it out toward you.
3. Pull out the bulb (4) without turning.
4. Install a new bulb in the reverse order of removal.



- (1) Clip A
- (2) Bulb maintenance lid
- (3) Socket
- (4) Bulb