

TOOL KIT

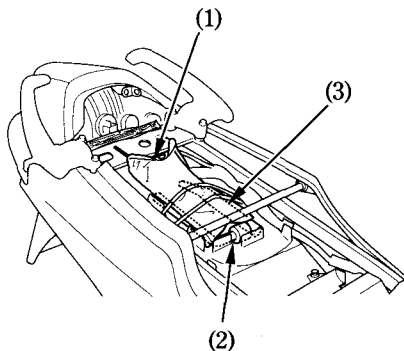
Tool kit is under the seat.

Listed below are the items included in the tool kit (1).

- Tool bag
- 10 × 12 mm Box end wrench
- 14 × 17 mm Box end wrench
- Spark plug wrench
- 22 mm Box end wrench
- 5 mm Hex wrench
- 6 mm Hex wrench
- 8 × 12 mm Open end wrench
- 10 × 14 mm Open end wrench
- Pliers
- No. 2 Phillips screwdriver
- No. 2 Screwdriver
- Screwdriver handle
- 8 mm Box wrench
- 0.7 mm Feeler gauge
- Pin spanner (for drive chain adjustment)
- Pin spanner (for rear suspension adjustment)

The following tools are equipped in your motorcycle.

- Wheel wrench
- Extension bar



- (1) Tool kit
- (2) Wheel wrench
- (3) Extension bar