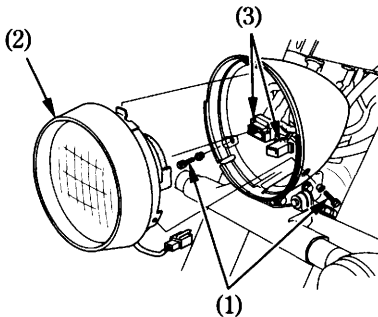


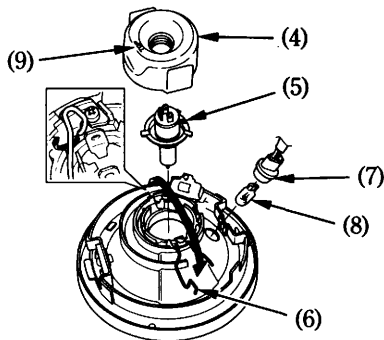
## Headlight/Position Light Bulb

1. Remove the bolts (1) from the headlight case.
2. Gently pull the lower end of the headlight (2) forward and remove the headlight.
3. Disconnect the connectors (3).
4. —Headlight bulb:
  - Remove the seat rubber (4).
  - Remove the headlight bulb (5) while pressing down on the pin (6).



- (1) Bolts  
(2) Headlight  
(3) Connectors

- Position light bulb: (except U type)
- Pull out the socket (7).
  - Pull the position light bulb (8) out.
5. Install a new bulb in the reverse order of removal.
    - Install the dust cover with its “TOP” mark (9) facing up.



- (4) Seat rubber  
(5) Headlight bulb  
(6) Pin  
(7) Socket  
(8) Position light bulb  
(9) “TOP” mark