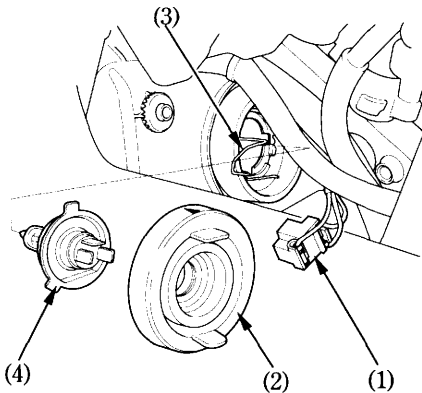


## Headlight Bulb

1. Pull off the socket (1) without turning.
2. Remove the seat rubber (2).
3. Remove the bulb (4) while pressing down on the pin (3).
4. Pull out the bulb (4) without turning.
5. Install a new bulb in the reverse order of removal.



(1) Socket  
(2) Seat rubber

(3) Pin  
(4) Bulb