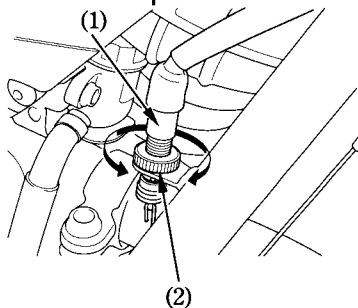
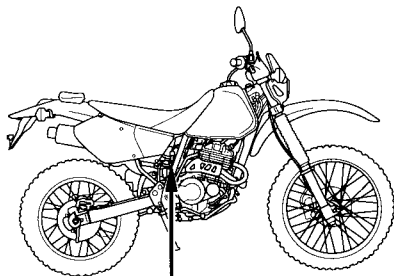


## STOPLIGHT SWITCH ADJUSTMENT

(Refer to the maintenance precautions on page 59).

Check the operation of the stoplight switch (1) at the right side behind the engine from time to time.

Adjustment is done by turning the adjusting nut (2).



(1) Stoplight switch

(2) Adjusting nut