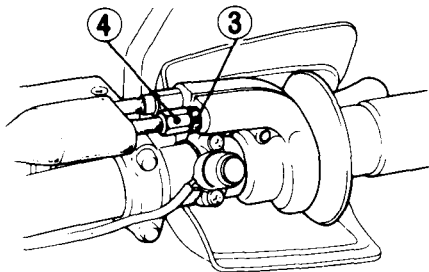


Minor free play adjustments are made with the upper adjuster (4). To adjust free play, loosen the lock nuts (1) or (3), and turn the adjusters (2) or (4). Tighten the lock nut after adjustment.

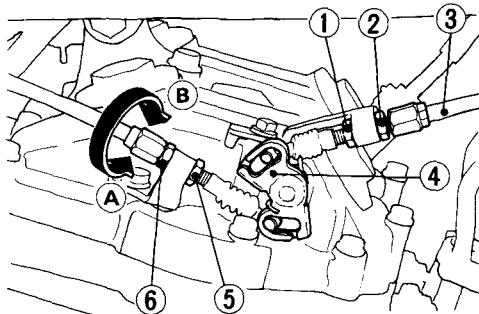


(3) Upper lock nut (4) Upper adjuster

STARTER DECOMPRESSOR

(Refer to the maintenance precautions on page 52).

Excessive decompressor lever free play will cause hard starting, and insufficient free play may cause erratic idling and burnt valves.



(1) Decompressor lock nut
 (2) Decompressor adjusting nut
 (3) Manual decompressor cable
 (4) Lifter lever (5) Lock nut
 (6) Adjusting nut
 (A) Increase free play (B) Decrease free play