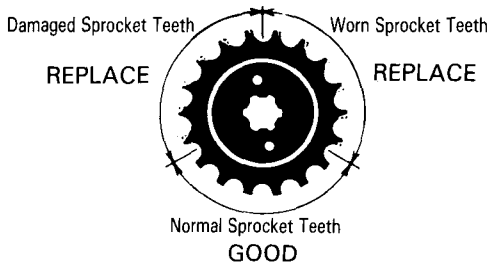


6. Inspect the sprocket teeth for wear or damage.



Standard sprocket sizes:

Drive sprocket (engine)	Driven sprocket (rear wheel)
13 teeth	40 teeth

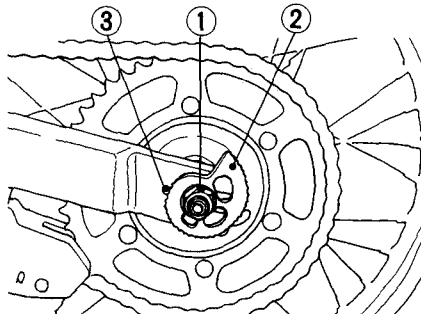
**NOTE:**

- \* If the drive chain or sprockets are excessively worn or damaged, they should be replaced. Never use a new chain with worn sprockets; rapid chain wear will result.

Adjustment:

If the drive chain requires adjustment, the procedure is as follows:

1. Loosen the rear axle nut (1) while holding the axle.
2. Turn both right and left adjusters (2) equally to increase or decrease chain slack.
3. After adjusting, be sure the same adjuster index marks align with the stopper pins (3) on both sides of the swingarm.



- (1) Axle nut  
(2) Chain adjuster

- (3) Stopper pin