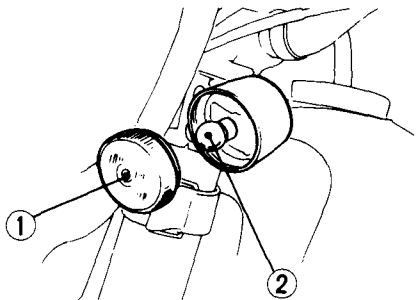


TURN SIGNAL

(Refer to the maintenance precautions on page 52).

Turn Signal Bulb

1. Remove the turn signal light lens (1) by pulling it forward.
2. Press the bulb (2) inward and twist to the left and the bulb can be removed.
3. Replace with a new bulb.
4. Install the turn signal light lens by pressing it.

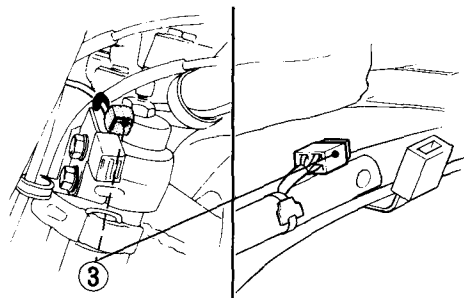


- (1) Turn signal light lens
(2) Bulb

Turn Signal Removal

When you ride your XR250R with the turn signals removed, observe the following to prevent entry of mud and water into the connectors (3).

Font turn signals/ — Wrap the wire harness
Rear taurn signals connector with a tape.



- (3) Connectors