

# XR250R

## WIRING DIAGRAM

HIGH BEAM PILOT LAMP 12V/2W ENGINE STOP REGULATOR/RECTIFIER

FRONT STOP LIGHT SWITCH

REAR STOP LIGHT SWITCH

TURN SIGNAL RELAY

HORN

ALTERNATOR

PULSE GENERATOR

SPARK PLUG

IGNITION COIL

C.D.I. UNIT

LIGHTING • DIMMER • TURN SIGNAL • HORN SWITCH

SWITCH CONTINUITY

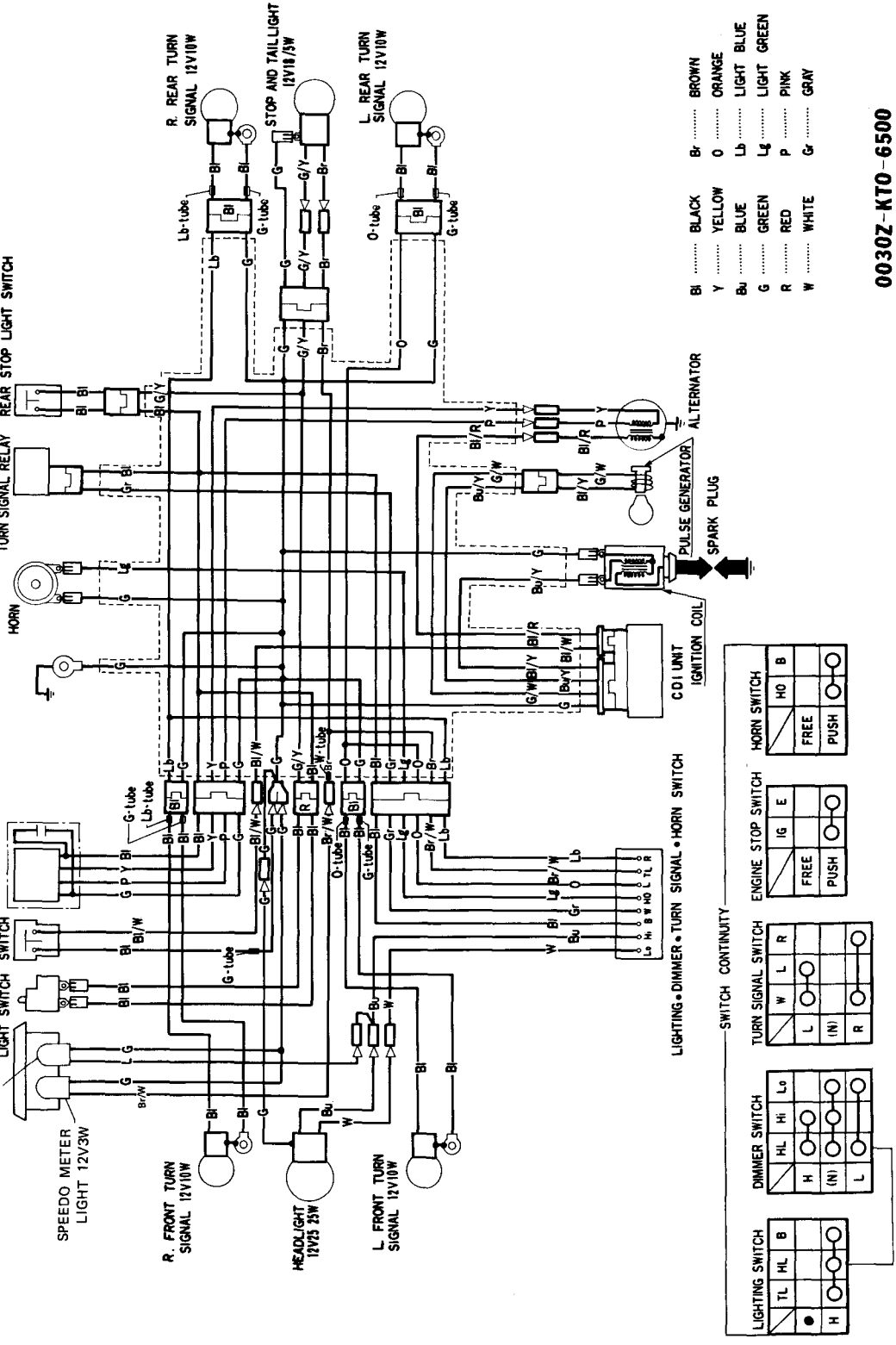
LIGHTING SWITCH

DIMMER SWITCH

TURN SIGNAL SWITCH

ENGINE STOP SWITCH

HORN SWITCH



- Bl ..... BLACK
- Y ..... YELLOW
- Bu ..... BLUE
- G ..... GREEN
- R ..... RED
- W ..... WHITE
- Br ..... BROWN
- O ..... ORANGE
- Lb ..... LIGHT BLUE
- Lg ..... LIGHT GREEN
- P ..... PINK
- Gr ..... GRAY